



Manufacturers of Medical and Health Care Equipment

Easyleaver® Bed Rail Instructions

The Easyleaver® Bed Rail is designed as an aid to help clients independently move themselves into a sitting position and to assist when leaving or entering a divan/domestic bed. It is suitable for all bed sizes from single to kingsize.

All OTS Bed Rail products exceed the relevant sections (Dimensions of side rails/grab handles) of European Standard BSEN1970: 2000

Contents

- Steel main frame coated in white or silver grey
- Steel handle coated in white or silver grey
- 2 security clip pins (when delivered these are usually found on the handle)
- EASY217 and EASY225 only - Blue strap kit (two very long straps and two short straps)

Easyleaver® Bed Rail assembly

Remove the items from the packaging and check that you have all the parts before assembling.

- 1) Remove the clip pins from the handle.
- 2) Place the base frame on a clean, firm floor area with the rubber buffers touching the floor and place foot centrally on steel main frame.
- 3) Take the handle and ensure that you align the holes on the handle with the main frame lug that also has 2 holes. Gently push it onto the two upright lugs until the handle is fully down. Check the front clip holes for alignment.
- 4) Take the security clip pins and push one through each hole in the handle until the clip wings fit around the handle. Each pin end should protrude through the far side. This will ensure that the handle is secured to the base frame. Check to ensure a good safe fit.
- 5) If the Easyleaver® Bed Rail is supplied without a blue strap kit it can now be fitted between the mattress and bed base as shown in the diagram overleaf. If it is supplied with the blue strap kit please continue to read the fitting instructions.

Please note that the blue strap kit can be bought as an accessory at a later date (Product code STRB400)

Easyleaver® Bed Rail assembly instructions for blue strap kit

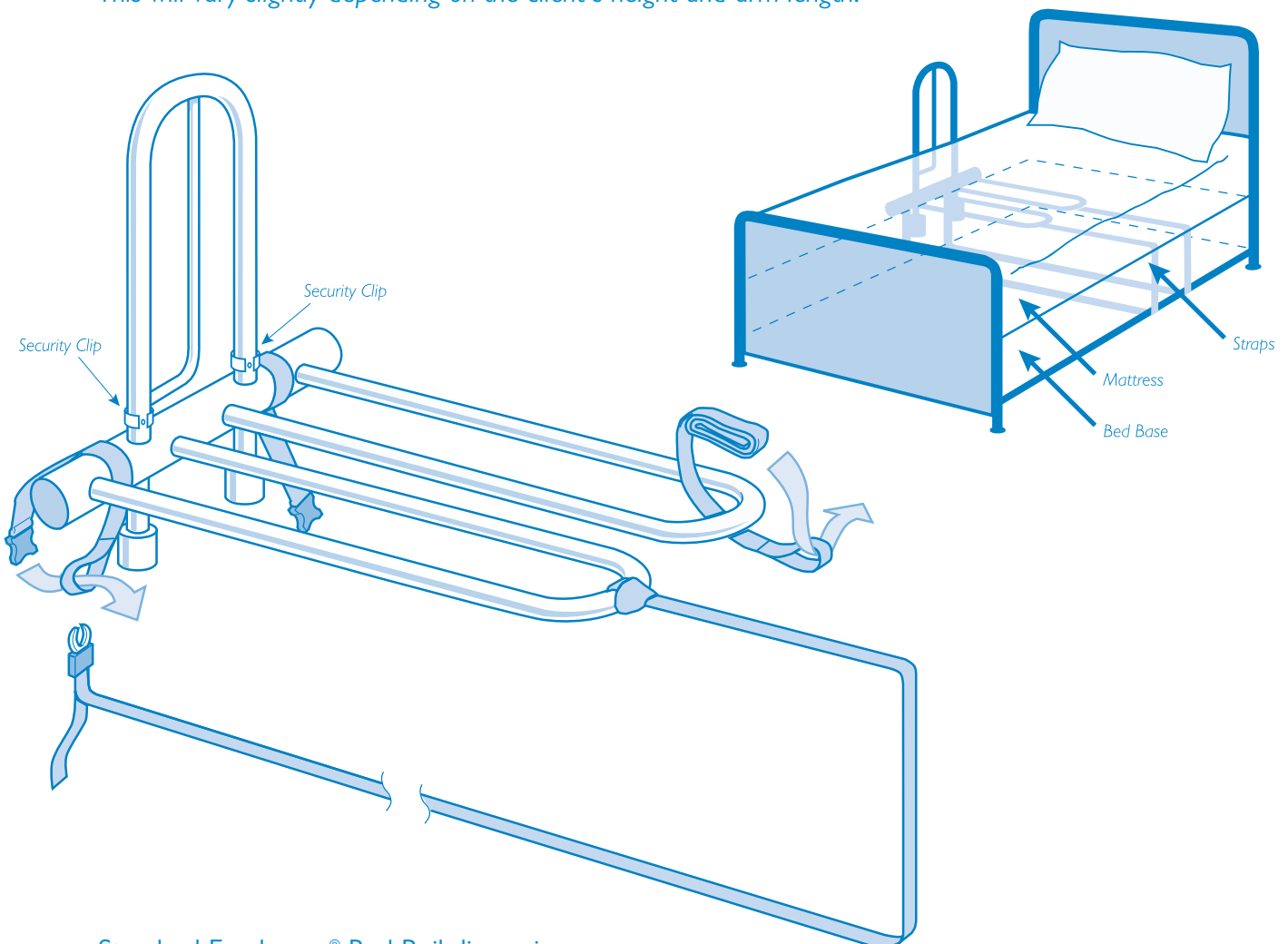
The blue strap kit should comprise of two long lengths of blue webbing with closed loops, plus two short lengths of webbing which also have loops at one end.

1) Fit the two short straps around the wide horizontal main frame tube by passing the plastic buckle through the eye-loop and pulling tight (see illustration).

2) Unwind approx 30cms (12") of long strap (loop-end only) and pass over and under one of the 'trombone' shaped tubes at the far end of the frame. Feed the reel of strap through the eye-loop (as illustrated) and pull tight. Repeat for the other side.

3) Place the device on the bed base as shown in the illustration. Place the webbing flat across bed base and pass down and under the base until it meets the short straps on the other side. Click male and female buckles together and adjust securely so that the straps are taut.

See the diagram for a guide to the positioning of the device on the bed.
This will vary slightly depending on the client's height and arm length.



Standard Easyleaver® Bed Rail dimensions:

Product Code: EASY217 (inc. straps) EASY417 (without straps)

Width: 365 mm (14¹/₂") Length: 620 mm (24¹/₂")

Max User Weight: 108kg (17 st.)

Handle Height: 470mm (18¹/₂")

'Heavy-Duty' Easyleaver® Bed Rail dimensions:

Product Code No: EASY225 (inc. straps) EASY425 (without straps)

Width: 440 mm (17¹/₂") Length: 780mm (31")

Max User Weight: 160kg (25 st.)

Handle Height: 470 mm (18¹/₂")

To disassemble Easyleaver® Bed Rail for storage

- 1) To remove the handle from main base frame, remove the security clip pins from the handle, and then place device on a level floor.
- 2) Stand over the frame and 'jiggle' the handle from right to left a few times to free any tightness. You should find that the handle pulls away with a little resistance.

Safety precautions

The Easyleaver® Bed Rail is designed as an aid to help clients independently move themselves into a sitting position and to assist when leaving or entering a divan/domestic bed. It is suitable for all bed sizes from single to kingsize.

The device should be placed under the mattress in a position where the client can reach the handle without over stretching.

To reduce the risk of the client becoming trapped between the handle and mattress, the blue strap system should be taut at all times. Any loose ends of the strapping should be securely tucked away under the bed to prevent tripping.

These devices were not designed to fit onto all slatted type beds. However some OT's have reported successful use with them. The important factors are whether the bed has a high side rail beam, which prevents the Easyleaver® Bed Rail base from sitting horizontally, and on the quality/strength and spacing of the slats under the mattress.



Contact us for details on the Easyrail™ for slatted base type beds.

This device is not designed for the following Hospital type beds:

- Those with motorised elevators, especially the 2 & 3-part section types.
- Those with exposed inter linked wire mesh bases or plastic sheet bases.



Contact us for details on alternative versions for mesh/plastic bases.

Another consideration with some Hospital type beds is that they are sometimes coated with a hard, slippery surface over the steel frame. Consequently, care needs to be exercised that any bed rail fitted is secure and will not slip against the frame.

The Easyleaver® Bed Rail was not designed as a complete restraint system to prevent clients who are suffering from dementia, or are abnormally restless sleepers, falling from or leaving the bed incorrectly.

The Easyleaver® Bed Rail is not suitable for mattresses of a thickness less than 75mm (3").

The Easyleaver® Bed Rail is not suitable for very young children, as they may view the device as a play/climbing frame. The device was not designed as a piece of exercise equipment.

The client's carer/relatives should ensure that the device is firmly placed against the side of the bed, and is always put back in the original position specified by the advisor in their home assessment after changing bedding/sheets etc.

When considering the appropriateness of a bed grab rail pay particular consideration to the anticipated use overnight (for example, leaving the bed to use commode/ toilet). It is common for a client to be less orientated/ alert on waking in the night; factors such as use of sleeping tablets, poor lighting, urgency to reach the commode/ toilet etc, should be considered in terms of how it will impact on the client's understanding and safe use of the bed grab rail in those circumstances. This will form part of the risk assessment process.

If you intend to have an alternative bed following the fitting of this bed grab rail, and you have been loaned the equipment by a local service such as Social Services, or a hospital, please contact your health professional. Advise them you are having a different bed so they can establish if your current bed grab rail will still be appropriate; this is because we have different types of products specifically designed for different styles/types of bed.

If you have purchased this product privately, please contact us if you intend to have an alternative bed.

Cleaning instructions

The device is best cleaned with a damp cloth using a non-abrasive cleaning fluid, and then dried to remove any trace of residue. The device should not be immersed in cleaning fluids, dip tanks etc.

As is standard practice in Health & Loan Stores operations

All Easyleaver® Bed Rails being returned into stores for reissue should be visually checked for wear and tear or abuse, and that the grey security clip pins are still attached. Also check that the soft, grey rubber buffers are still attached.

Check that blue fixing straps are in good condition, including the buckles/prongs. We can supply spares for all our devices promptly.



Please do not hesitate to contact us if you have any further questions. We are here to help you.



Please contact us for a catalogue.
Tel 0845 260 7061

INS / EASYLEAVER / JAN 2007

©All text and drawings are copyright of OTS Ltd.